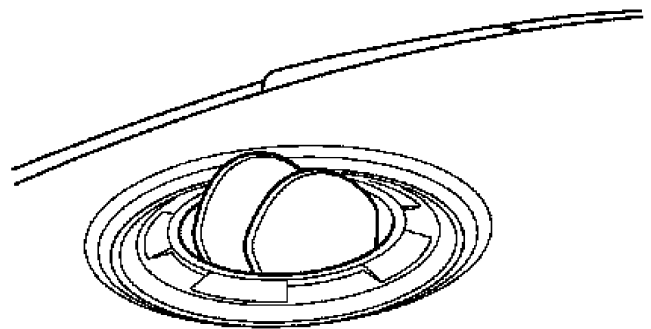
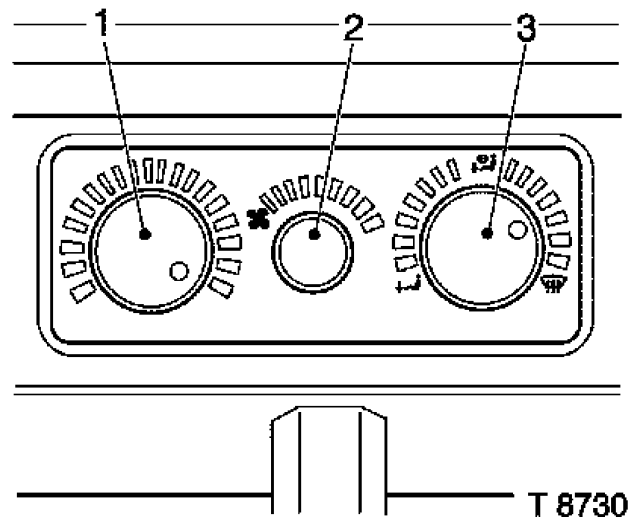


Controls

Two rotary controls and a rotary switch are provided to operate the heating and ventilation.

- 1 Temperature
- 2 Fan switch
- 3 Air distribution control



Four ventilation jets are installed in the top of the instrument panel. The ventilation jets may be rotated to adjust the direction of the airflow from the jets.